



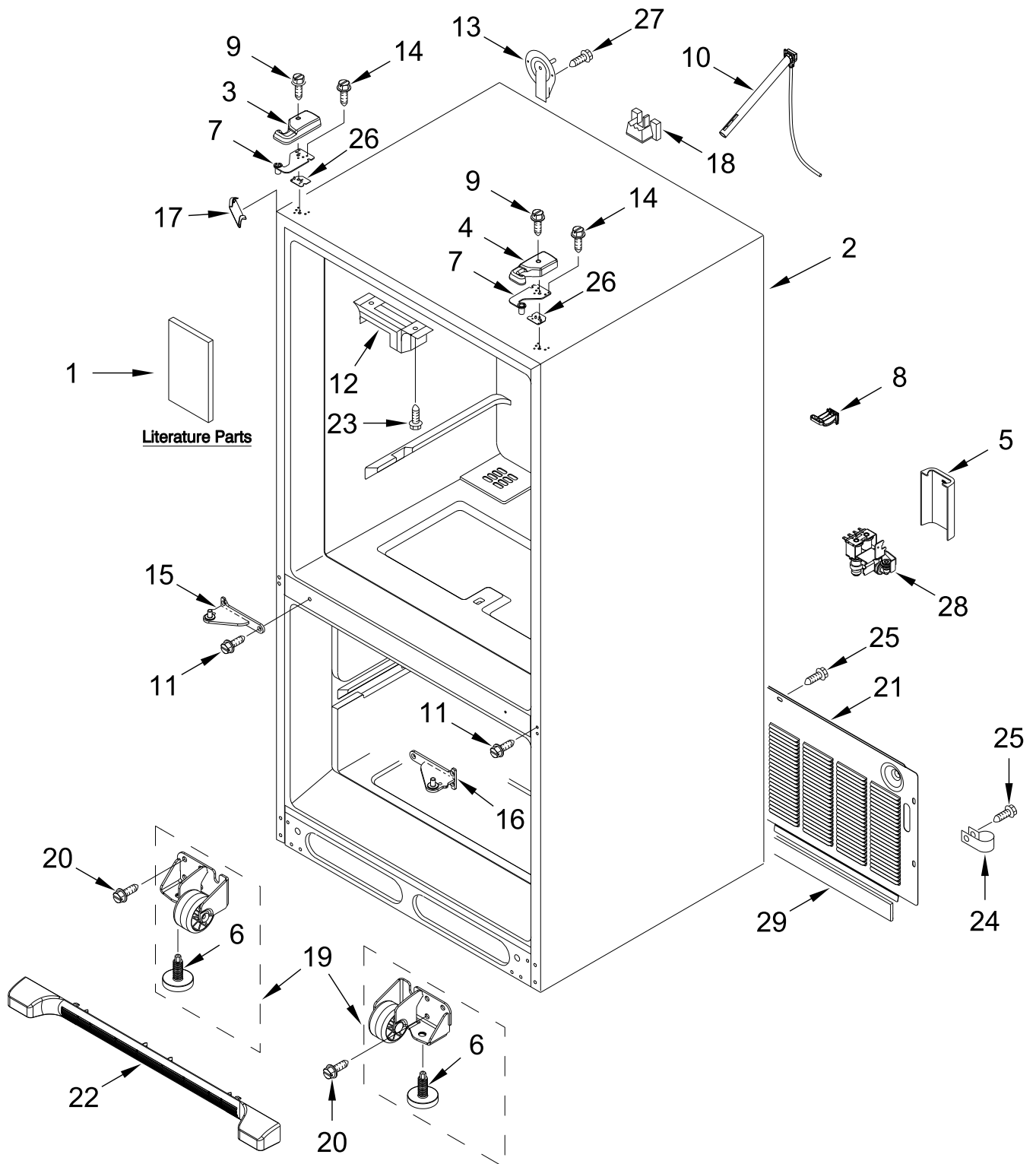
## **BOTTOM MOUNT FRENCH DOOR REFRIGERATOR**

### **MODELS:**

WRF535SWHW02 (White)

WRF535SWHB02 (Black)

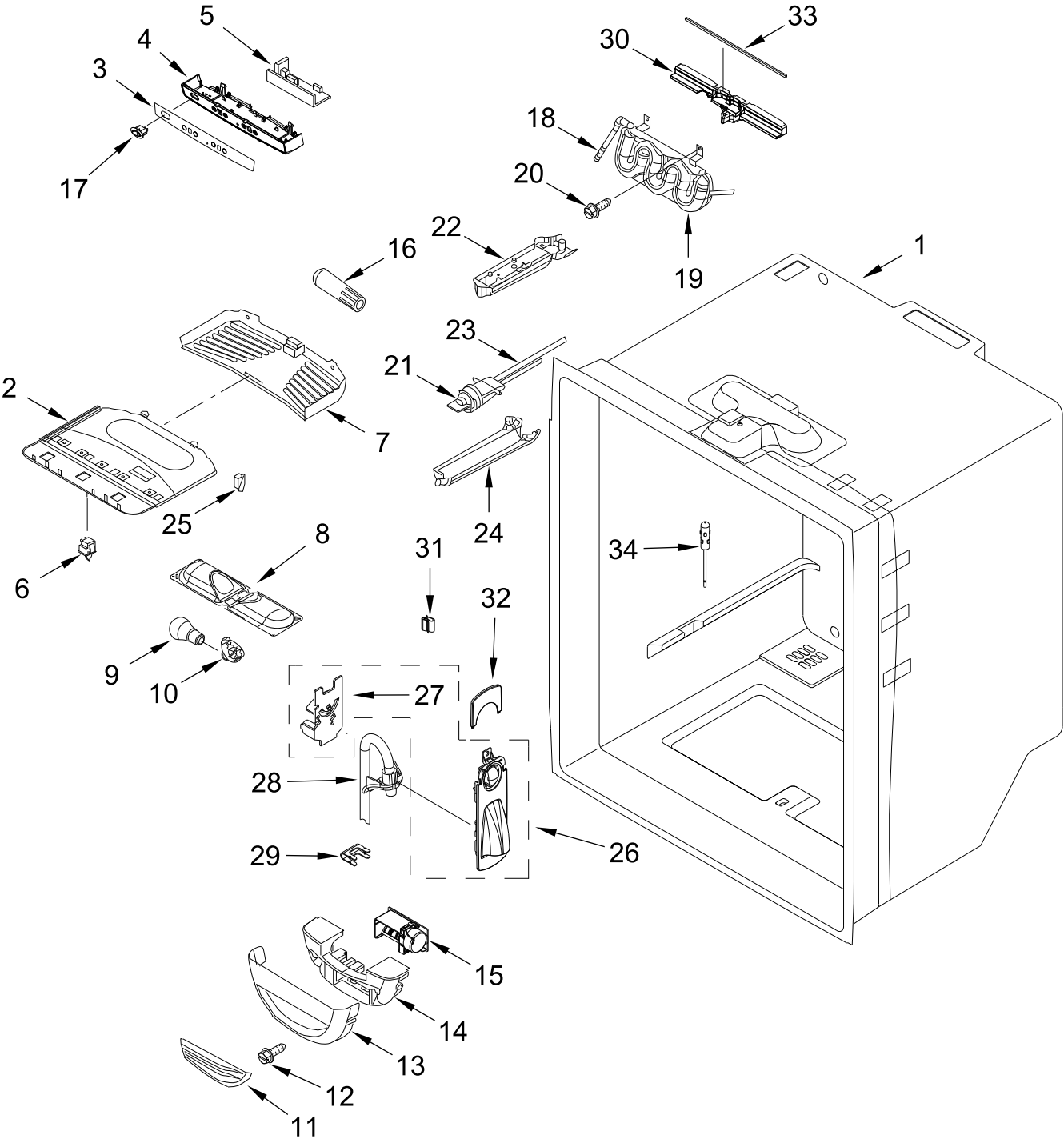
# CABINET PARTS



# CABINET PARTS

<u>Illus. No.</u>	<u>Part No.</u>	<u>Description</u>	<u>Illus. No.</u>	<u>Part No.</u>	<u>Description</u>	<u>Illus. No.</u>	<u>Part No.</u>	<u>Description</u>
1		Literature Parts	9	12992602	Screw	19		Assembly, Roller
	W11296635	Use and Care Guide	10	W11046934	Assembly, Fill Tube (Includes Tubing, Fill Tube Elbow, Tube Insert and Clamp)		W10515763	Left Hand
	W11308945	Energy Guide					W10515762	Right Hand
	W10517966	Tech Sheet	11	W10673840	Screw (Stainless)	20	W10709365	Screw
2		Cabinet (Not a Servicable Part)	12	12698403	Plate, Pivot	21	W10211855	Cover, Unit
3		Cover, Top Hinge Left Hand	13	12726003	Cover, Water Line	22		Grille, Toe
	12962301W	White	14	12992403	Screw		W10534154	White
	12962301B	Black	15		Hinge, Center Left Hand	23	688983	Screw
4		Cover, Top Hinge Right Hand		W10740148	White	24	M0108107	Clamp, Tube
	12962302W	White		W10740149	Black	25	12990511	Screw
	12962302B	Black	16		Hinge, Center Right Hand	26		Shim, Top Hinge
5	W10208593	Guard, Dual Water Valve		W10740144	White		12999501	Left Hand
6	W10141622	Brake, Roller		W10740145	Black		12999502	Right Hand
7		Hinge, Top	17		Cover, Corner	27	12990504	Screw
	12963204ED	Left Hand		12587703W	White	28	W10420083	Valve, Water Inlet
	12963205ED	Right Hand		12587703B	Black	29	B5759655	Gasket
8	W10528513	Sweep, Dual Tube	18	W10658542	Block, Fill Tube			

# REFRIGERATOR LINER PARTS



# REFRIGERATOR LINER PARTS

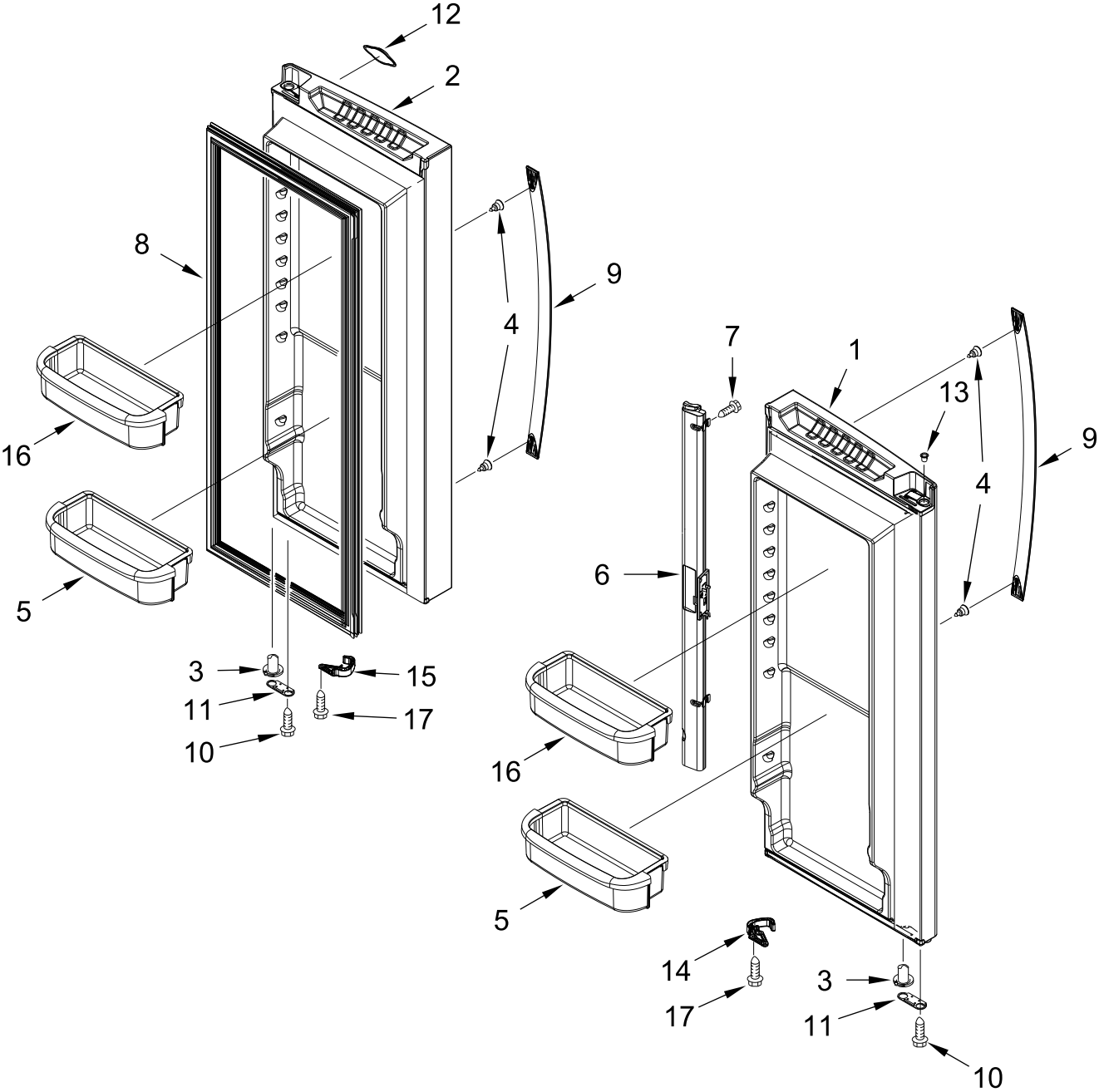
<u>Illus. No.</u>	<u>Part No.</u>	<u>Description</u>	<u>Illus. No.</u>	<u>Part No.</u>	<u>Description</u>	<u>Illus. No.</u>	<u>Part No.</u>	<u>Description</u>
1		Liner (Not A Serviceable Part)	15	W10594330	Damper, Control	28	W11031909	Guide, Waterline
2	W10464764	Module, Light	16	W11256384	Filter, Water	29	12251001	Clip, Water Tube
3	W10613576	Overlay, Control	17	12861601	Switch, Energy Saver	30	W10117358	Insulation, Water Tank
4	W10464775	Module, Control	18	61006182	Union, Water	31	B8390302	Clip, Facade
5	W10503278	Control, Electronic	19	W11097710	Tank, Water	32	12707005	Facade, Dispenser (Top)
6	W10847853	Switch, Light	20	12990513	Screw	33	10685510	Gasket, Seal
7	W11132917	Cover, Light	21	12664501SP	Cartridge, Bypass	34	12791403	Thermistor
8	W10443023	Housing, Light	22	12704801	Plate, Filter			FOLLOWING PARTS NOT ILLUSTRATED
9	W11038115	Lamp, LED	23	W11308018	Head, Water Filter (Includes Bypass Cartridge)	W10389967		Harness, Controls (Refrigerator, Includes Thermistor)
10	12570701V	Socket, Light						
11	12806801	Insert, Damper Cover	24	12568001	Cover, Filter			
12	12990604	Screw	25	12575501	Switch, Limit			
13	12806701	Cover, Damper	26	W10585703	Facade, Dispenser			
14	13012402	Insulation, Damper	27	W10585699	Plate, Dispenser			



# FREEZER LINER AND ICEMAKER PARTS

<u>Illus. No.</u>	<u>Part No.</u>	<u>Description</u>	<u>Illus. No.</u>	<u>Part No.</u>	<u>Description</u>	<u>Illus. No.</u>	<u>Part No.</u>	<u>Description</u>
1		Liner (Not A Serviceable Part)	14	W10277025	Module, Light	25		Bracket, Door
2	A3189392	Gasket, Foam	15	13058002	Clip, Evaporator Motor		W10330991	Left Hand
3	W11261524	Guide, Fill Tube	16	W10847849	Switch, Light		W10330993	Right Hand
4	W10157765	Diverter, Air	17		Rail, Side	26	12990521	Screw
5	W10128551	Motor, Evaporator		W10516603	Left Hand	27	W11260635	Arm, Shut Off
6	12791417SP	Thermistor		W10516602	Right Hand	28	W10860513	Slide, Door
7	12002497	Gear	18	W10662407	Assembly, Drain Funnel	29		Adapter, Slide
8	12815301	Cover, Thermistor					W10284684	Left Hand
9	W11251749	Light Module, LED	19	M0500703	Seal		W10284685	Right Hand
10	W10289690	Cover, Ice maker	20	A3189396	Gasket	30	12990501	Screw
11	W10308416	Cover, Evaporator	21	B8381501	Gasket, Drain	31	W10802332	Shaft, Rack
12	12990511	Screw	22	13024803	Grille, Freezer Air	32	W10793621	Harness, Ice maker Wire
13	W10121318	Grommet	23	13057901	Shroud, Evaporator Fan	33	W10171529N	Pan, Ice
			24	2169142	Blade, Fan	34	W10793298	Assembly, Ice maker (Complete)

# REFRIGERATOR DOOR PARTS

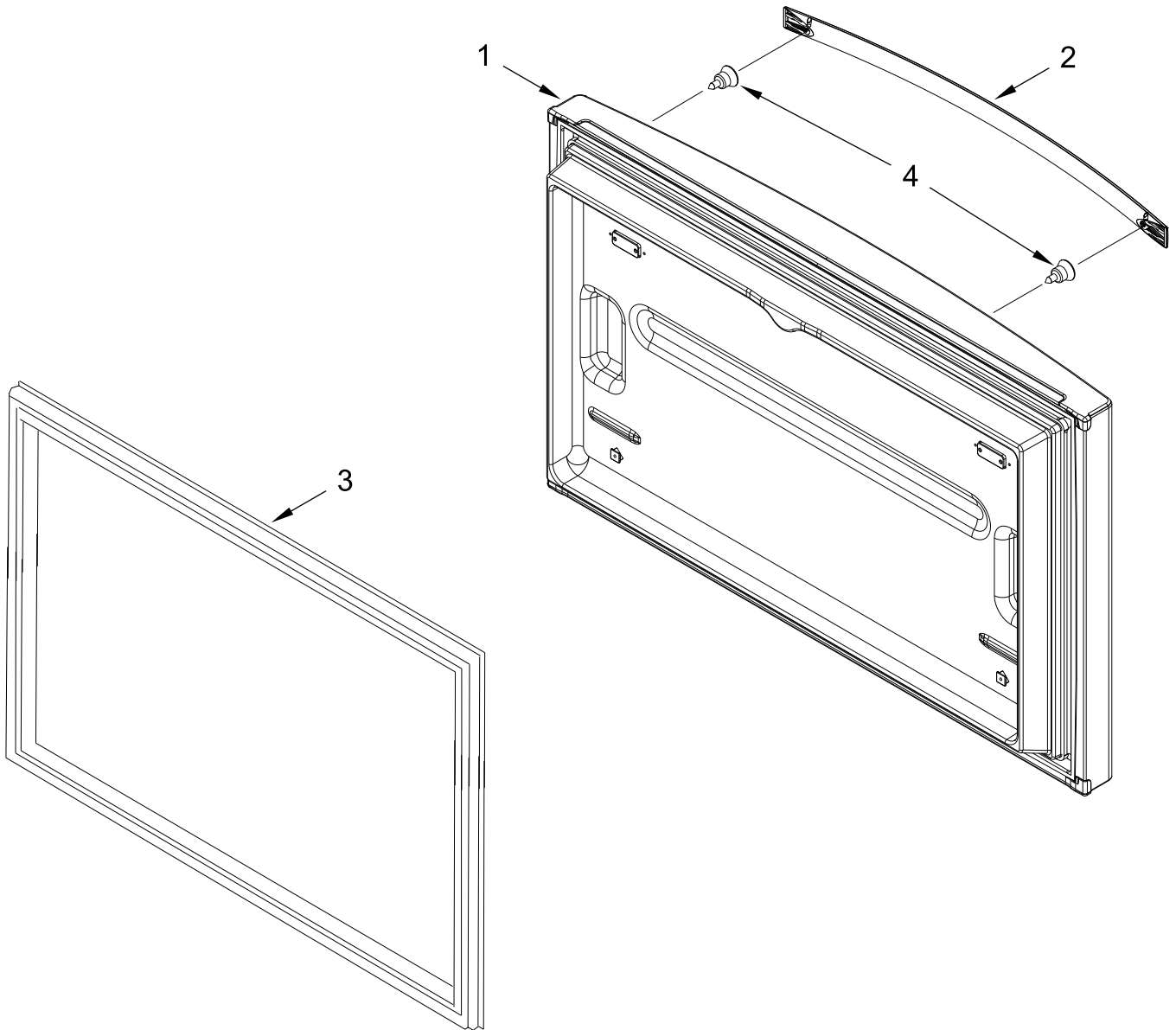




# REFRIGERATOR DOOR PARTS

<u>Illus. No.</u>	<u>Part No.</u>	<u>Description</u>	<u>Illus. No.</u>	<u>Part No.</u>	<u>Description</u>	<u>Illus. No.</u>	<u>Part No.</u>	<u>Description</u>
1		Door, Refrigerator	6		Mullion, Door	12	W10884773	Badge
		Left Hand		12722803W	White	13	12996601	Clip, Bushing
	13107888W	White		12722803BN	Black	14		Latch, Door Closer
	13107888B	Black	7	12990204	Screw			Left Hand
2		Door, Refrigerator	8		Gasket, Door		W10833740	White
		Right Hand		W10830189	White		W10725268	Black
	13107887W	White		W10830206	Black	15		Latch, Door Closer
	13107887B	Black	9		Handle, Door			Right Hand
3		Closure, Door		W11101973	White		W10833738	White
	12028505W	White		W11101974	Black		W10725267	Black
	12028505B	Black	10	12990504	Screw	16	W10289497	Bucket, Gallon
4	W11328753	Screw	11		Stop, Door	17	12990519	Screw
5	W10371194	Bucket, Medium		12968202W	White			
				12968202B	Black			

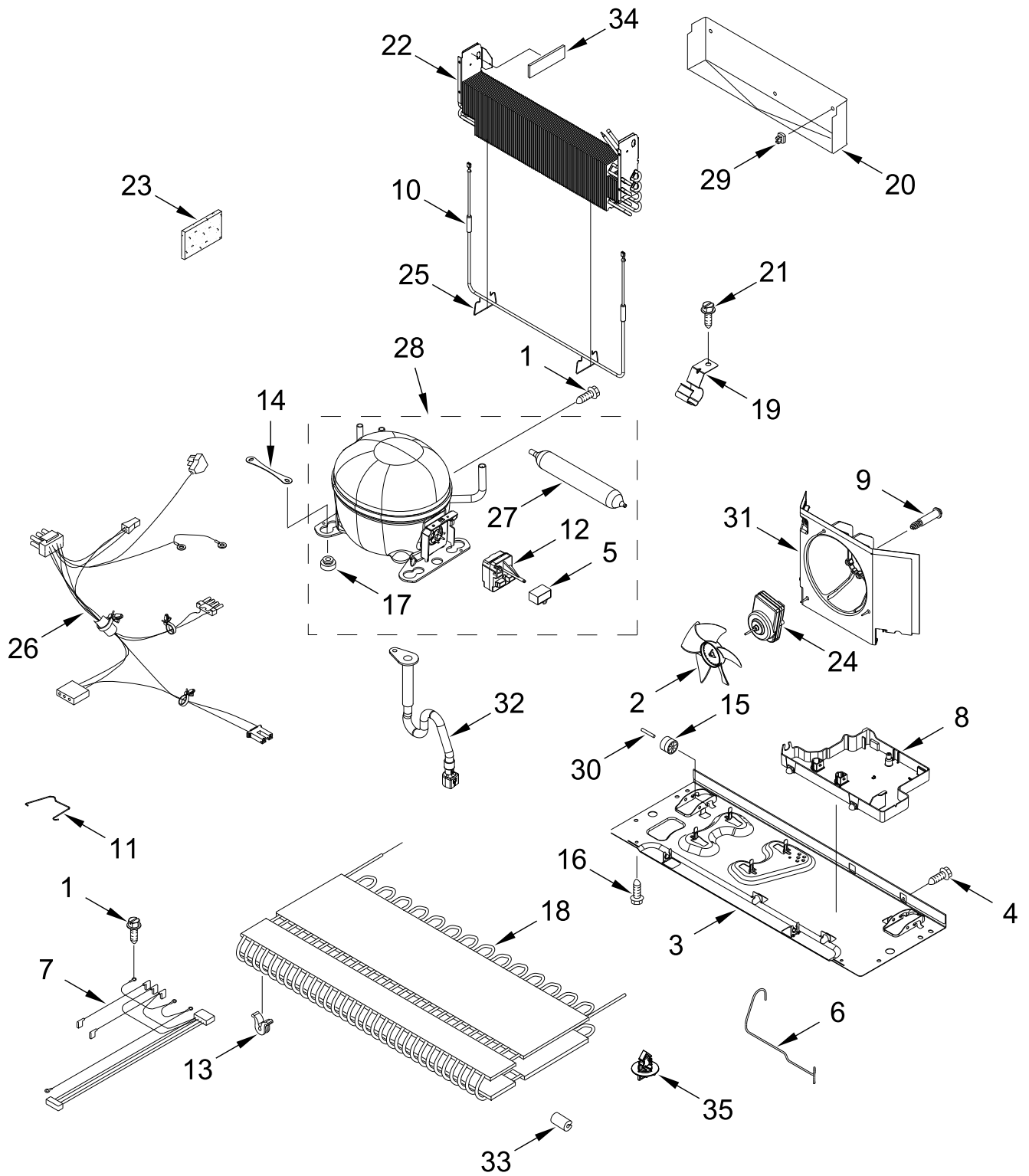
# FREEZER DOOR PARTS



# FREEZER DOOR PARTS

<u>Illus.</u> <u>No.</u>	<u>Part No.</u>	<u>Description</u>	<u>Illus.</u> <u>No.</u>	<u>Part No.</u>	<u>Description</u>	<u>Illus.</u> <u>No.</u>	<u>Part No.</u>	<u>Description</u>
1		Door, Freezer	2		Handle, Door	3		Gasket, Door
	12977879W	White		W11101978	White		W10443319	White
	12977878B	Black		W11101980	Black		W10436252	Black
						4	W11328753	Screw

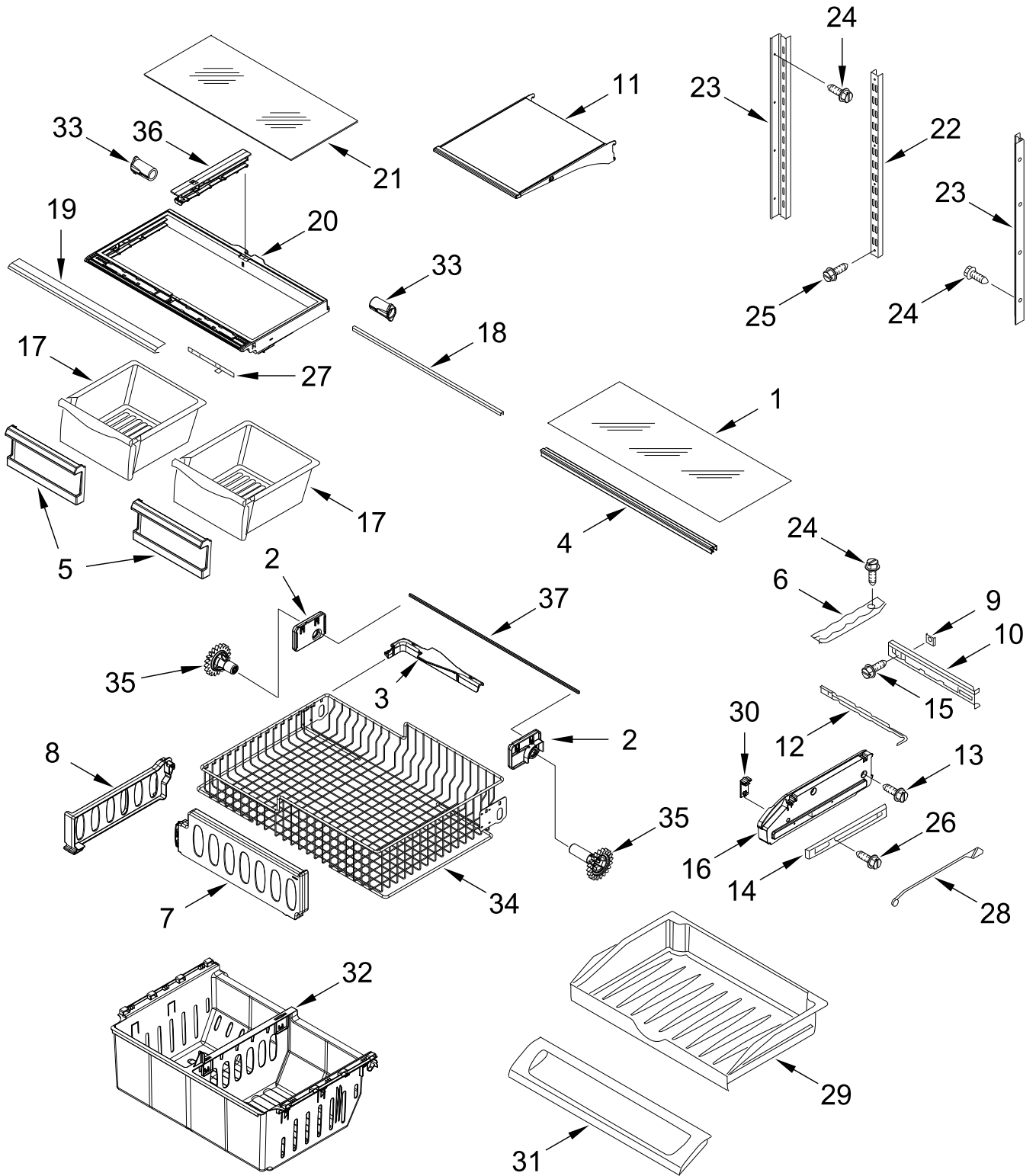
# UNIT PARTS



# UNIT PARTS

<u>Illus. No.</u>	<u>Part No.</u>	<u>Description</u>	<u>Illus. No.</u>	<u>Part No.</u>	<u>Description</u>	<u>Illus. No.</u>	<u>Part No.</u>	<u>Description</u>
1	12992301	Screw	17	10835903	Grommet	32	W10622099	Extension, Drain Tube
2	12825803	Blade, Fan	18	W10346415	Condenser	33	2319835	Grommet, Condenser
3	W10480111	Basepan	19	W10281329	Clip, Drier	34	W11244122	Gasket, Foam
4	12990511	Screw	20	W10292803	Tray, Drip	35	W10815863	Clip, Condenser
5	W10350564	Capacitor	21	12990701	Screw			FOLLOWING PARTS NOT ILLUSTRATED
6	W10233569	Tube, Discharge	22	W10669255	Evaporator		978025	Valve, Access (1/4")
7	W11050969	Harness, Evaporator (Includes Heater)	23	2169104	Insulation, Sound Deadening		978026	Valve, Access (5/16")
8	W10655368	Pan, Drain	24	W11373924	Motor, Condenser Fan		978027	Valve, Access (3/8")
9	W10622701	Screw	25	10428101	Clip, Heater		978029	Valve, Access (5/8")
10	12729123	Heater, Defrost	26	W11218259	Harness, Unit (Includes Power Cord)		978030	Valve, Access (3/4")
11	W10216075	Strap, Bale	27	W10177049	Drier		876764	Valve, Access (3/16")
12	W10796752	Device, Start	28	W10879296	Compressor			REFRIGERANT CHARGE
13	W10137529	Grommet, Condenser	29	10623002	Clip, Evaporator			5.00 oz. (R-134A)
14	W10236396	Strap, Compressor	30	12477202	Axle, Roller			
15	12477102	Roller	31	W10189184	Shroud, Condenser Fan			
16	12992101	Screw						

# SHELF PARTS



# SHELF PARTS

<u>Illus. No.</u>	<u>Part No.</u>	<u>Description</u>
1	W10893772	Glass, Shelf
2		Mount, Gear
	W10348259	Left Hand
	W10348260	Right Hand
3	W10149389N	Lift, Bail Arm
4	W10528933	Support, Glass (Includes Pantry Brace)
5	12802602SP	Front, Crisper Pan
6	12531901	Track, Deli Drawer
7	W10171558	Divider, Basket (Upper)
8	W10241046	Divider, Basket (Upper)
9	12656901	Gasket, Pantry
10	12656202	Housing, Control
11	W11046990	Assembly, Shelf
12	12655402	Slide, Temperature Control

<u>Illus. No.</u>	<u>Part No.</u>	<u>Description</u>
13	12990512	Screw
14	W10235370	Glide, Pantry
15	12990513	Screw
16		Endcap, Pantry
	W10845509	Left Hand
	W10845508	Right Hand
17	12804601SP	Pan, Crisper
18	12642303WD	Brace, Crisper Cover
19	W10231345N	Trim, Crisper
20	W10329866	Frame, Crisper
21	12204824N	Glass, Shelf
22	W10273463	Ladder, Center
23	W10569182	Ladder, Side
24	12990513	Screw
25	W10215666	Screw
26	12990504	Screw
27	12530805SP	Slide, Humidity Control
28	12655304	Bar, Control

<u>Illus. No.</u>	<u>Part No.</u>	<u>Description</u>
29	12731302	Drawer, Pantry
30	12655204	Knob, Temperature Control
31	12656813	Lid, Pantry
32	W10293682	Bin, Lower
33	13062602	Support, Crisper Frame
34	W11115256	Basket, Freezer (Upper)
35		Gear, Spur
	W10474716	Left Hand
	W10474715	Right Hand
36	W10326469N	Rail, Center Crisper
37	W10802333	Shaft, Rack

# OPTIONAL PARTS

## PAINT, TOUCH-UP (1/2OZ.)

<u>Illus. No.</u>	<u>Part No.</u>	<u>Description</u>
	72017	White
	72032	Black
	W10134625	Apollo Grey
	W10917540	Midnight Grey
	511873	White Porcelain (2 oz.)
	4392899	Biscuit/Bisque

## PAINT, PRESSURIZED SPRAY (12 OZ.)

<u>Illus. No.</u>	<u>Part No.</u>	<u>Description</u>
	350930	White
	350939	Enamel, Black
	285006	Black
	350942	White Primer
	4392901	Biscuit/Bisque

## PAINT, BULK (1 QT.)

<u>Illus. No.</u>	<u>Part No.</u>	<u>Description</u>
	799344	White (Uncut)

## MISCELLANEOUS

<u>Illus. No.</u>	<u>Part No.</u>	<u>Description</u>
	212643	Sealer, Gum (4 Feet)
	479502	Tape, Vinyl (3/4 x 108")
	876370	Insulation (2 Pieces, 3" x 24" x 48")
	876305	Insulation Kit (14 Pieces, 3" x 24" x 48")
	978941	Insulation, Fiberglass (63 1/2" x 35 1/2" x 2 5/8")
	876029	Kit, Foam Slab (30" x 32 1/2" x 1 1/2")
	505587	Sealer, Mastic (1 Qt)
	503695	Cork, Sealer
	20000008	Cleaner, Stainless Steel
	542638	Grease, Silicone (1/2 Oz.)
	542639	Cement, Alumilastic (1 1/4 Oz.)
	833938	Kit, Terminal Connector
	8003RP	Kit, Water Inlet

## TORX SCREW WRENCH

<u>Illus. No.</u>	<u>Part No.</u>	<u>Description</u>
	1117510	Torx Key