

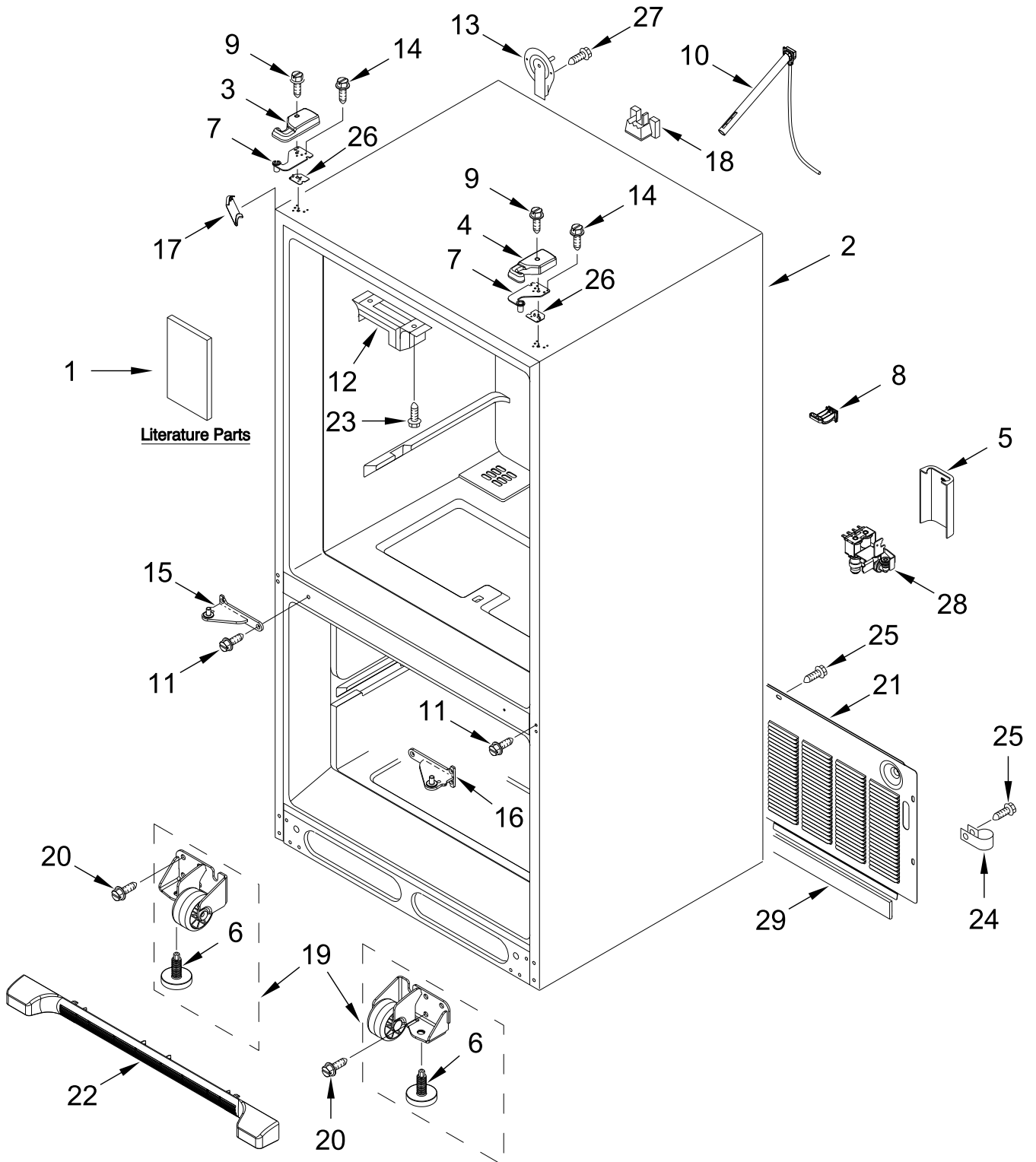


**BOTTOM MOUNT FRENCH DOOR REFRIGERATOR  
Fingerprint Resistant**

**MODELS:**

WRF535SWHZ02 (Stainless Steel)  
WRF535SWHV02 (Black Stainless)

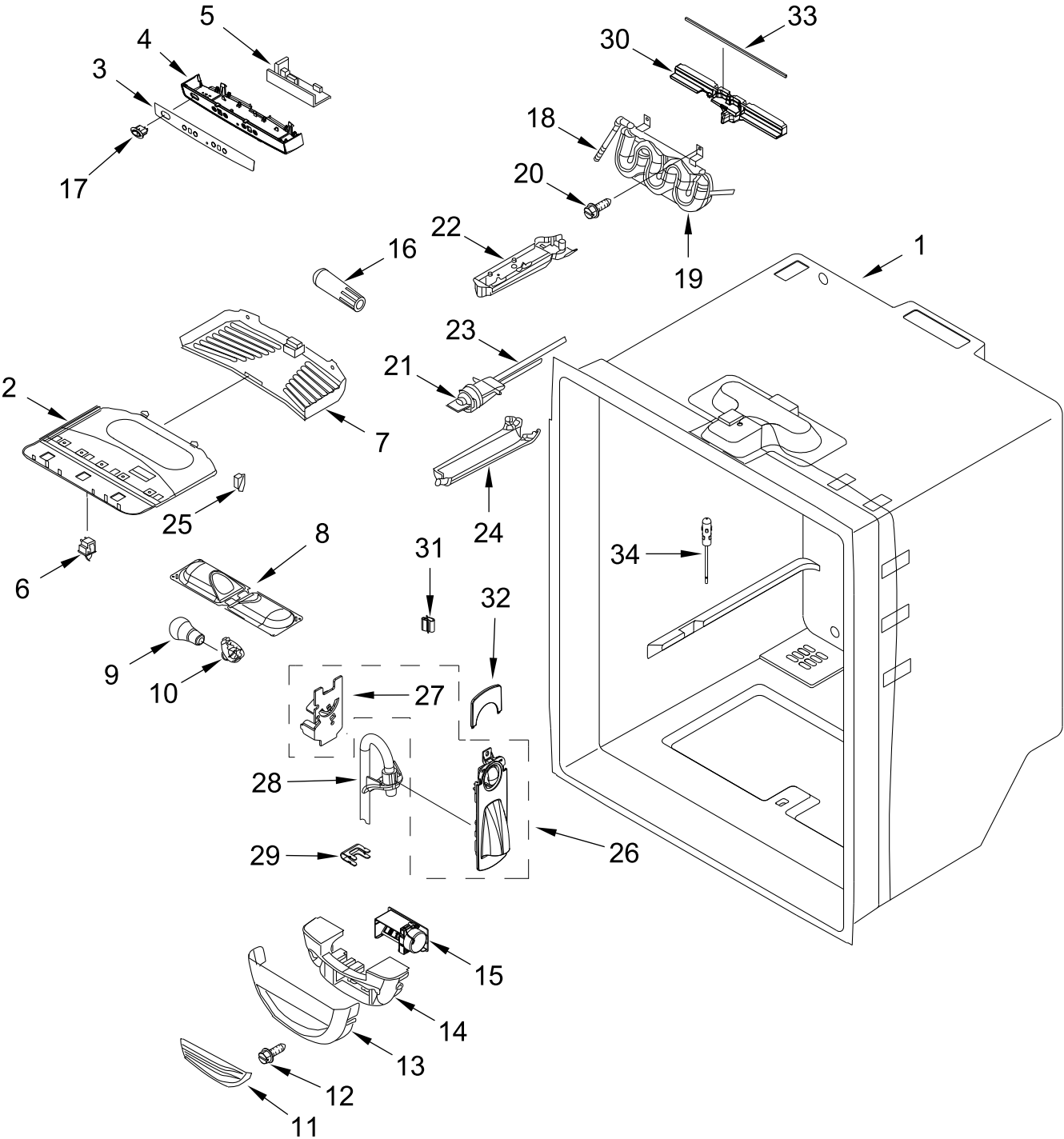
# CABINET PARTS



# CABINET PARTS

| <u>Illus. No.</u> | <u>Part No.</u> | <u>Description</u>              | <u>Illus. No.</u> | <u>Part No.</u> | <u>Description</u>  | <u>Illus. No.</u> | <u>Part No.</u> | <u>Description</u> |
|-------------------|-----------------|---------------------------------|-------------------|-----------------|---|-------------------|-----------------|--------------------|
| 1                 |                 | Literature Parts                | 9                 | 12992602        | Screw   | 19                |                 | Assembly, Roller   |
|                   | W11296635       | Use and Care Guide              | 10                | W11046934       | Assembly, Fill Tube (Includes Tubing, Fill Tube Elbow, Tube Insert and Clamp) |                   | W10515763       | Left Hand          |
|                   | W11308945       | Energy Guide                    |                   |                 |   |                   | W10515762       | Right Hand         |
|                   | W10517966       | Tech Sheet                      | 11                | W10673840       | Screw (Stainless)   | 20                | W10709365       | Screw              |
| 2                 |                 | Cabinet (Not a Servicable Part) | 12                | 12698403        | Plate, Pivot  | 21                | W10211855       | Cover, Unit        |
| 3                 |                 | Cover, Top Hinge Left Hand      | 13                | 12726003        | Cover, Water Line   | 22                |                 | Grille, Toe        |
|                   | 12962301AP      | Grey                            | 14                | 12992403        | Screw   |                   | W10534155       | Grey               |
|                   | 12962301B       | Black                           | 15                |                 | Hinge, Center Left Hand   |                   | W10534153       | Black              |
| 4                 |                 | Cover, Top Hinge Right Hand     |                   | W10740150       | Grey  | 23                | 688983          | Screw              |
|                   | 12962302AP      | Grey                            |                   | W10740149       | Black   | 24                | M0108107        | Clamp, Tube        |
|                   | 12962302B       | Black                           | 16                |                 | Hinge, Center Right Hand  | 25                | 12990511        | Screw              |
| 5                 | W10208593       | Guard, Dual Water Valve         |                   | W10740146       | Grey  | 26                |                 | Shim, Top Hinge    |
| 6                 | W10141622       | Brake, Roller                   |                   | W10740145       | Black   |                   | 12999501        | Left Hand          |
| 7                 |                 | Hinge, Top                      | 17                |                 | Cover, Corner   |                   | 12999502        | Right Hand         |
|                   | 12963204ED      | Left Hand                       |                   | 12587703AP      | Grey  | 27                | 12990504        | Screw              |
|                   | 12963205ED      | Right Hand                      |                   | 12587703B       | Black   | 28                | W10420083       | Valve, Water Inlet |
| 8                 | W10528513       | Sweep, Dual Tube                | 18                | W10658542       | Block, Fill Tube  | 29                | B5759655        | Gasket             |

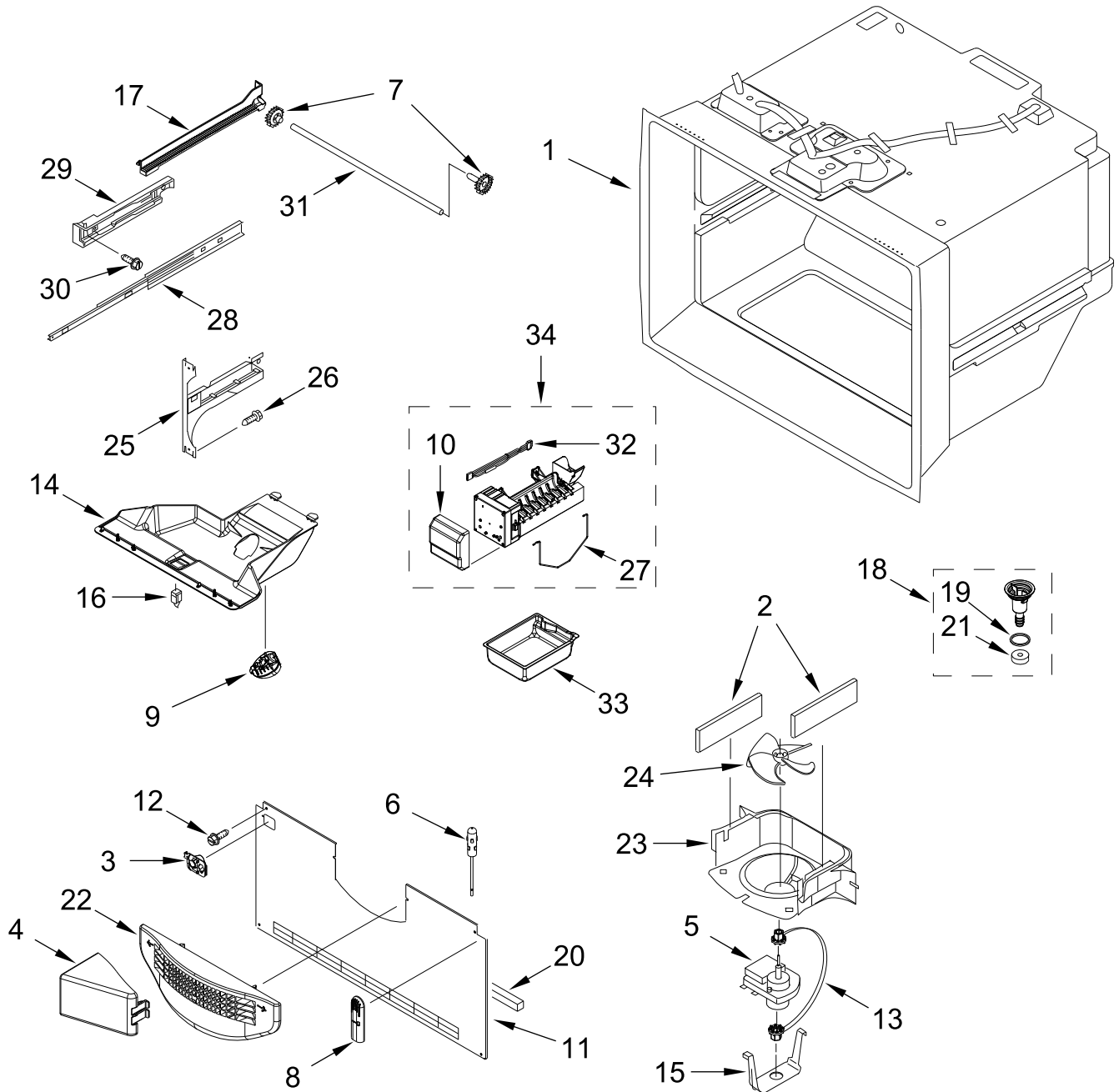
# REFRIGERATOR LINER PARTS



# REFRIGERATOR LINER PARTS

| <u>Illus. No.</u> | <u>Part No.</u> | <u>Description</u>             | <u>Illus. No.</u> | <u>Part No.</u> | <u>Description</u>                             | <u>Illus. No.</u> | <u>Part No.</u> | <u>Description</u>                                    |
|-------------------|-----------------|--------------------------------|-------------------|-----------------|--|-------------------|-----------------|---|
| 1                 |                 | Liner (Not A Serviceable Part) | 15                | W10594330       | Damper, Control                                | 28                | W11031909       | Guide, Waterline                                      |
| 2                 | W10464764       | Module, Light                  | 16                | W11256384       | Filter, Water                                  | 29                | 12251001        | Clip, Water Tube                                      |
| 3                 | W10613576       | Overlay, Control               | 17                | 12861601        | Switch, Energy Saver                           | 30                | W10117358       | Insulation, Water Tank                                |
| 4                 | W10464775       | Module, Control                | 18                | 61006182        | Union, Water                                   | 31                | B8390302        | Clip, Facade  |
| 5                 | W10503278       | Control, Electronic            | 19                | W11097710       | Tank, Water                                    | 32                | 12707005        | Facade, Dispenser (Top)                               |
| 6                 | W10847853       | Switch, Light                  | 20                | 12990513        | Screw  | 33                | 10685510        | Gasket, Seal  |
| 7                 | W11132917       | Cover, Light                   | 21                | 12664501SP      | Cartridge, Bypass                              | 34                | 12791403        | Thermistor  |
| 8                 | W10443023       | Housing, Light                 | 22                | 12704801        | Plate, Filter                                  |                   |                 | FOLLOWING PARTS NOT ILLUSTRATED                       |
| 9                 | W11038115       | Lamp, LED                      | 23                | W11308018       | Head, Water Filter (Includes Bypass Cartridge) | W10389967         |                 | Harness, Controls (Refrigerator, Includes Thermistor) |
| 10                | 12570701V       | Socket, Light                  |                   |                 |  |                   |                 |   |
| 11                | 12806801        | Insert, Damper Cover           | 24                | 12568001        | Cover, Filter                                  |                   |                 |   |
| 12                | 12990604        | Screw                          | 25                | 12575501        | Switch, Limit                                  |                   |                 |   |
| 13                | 12806701        | Cover, Damper                  | 26                | W10585703       | Facade, Dispenser                              |                   |                 |   |
| 14                | 13012402        | Insulation, Damper             | 27                | W10585699       | Plate, Dispenser                               |                   |                 |   |

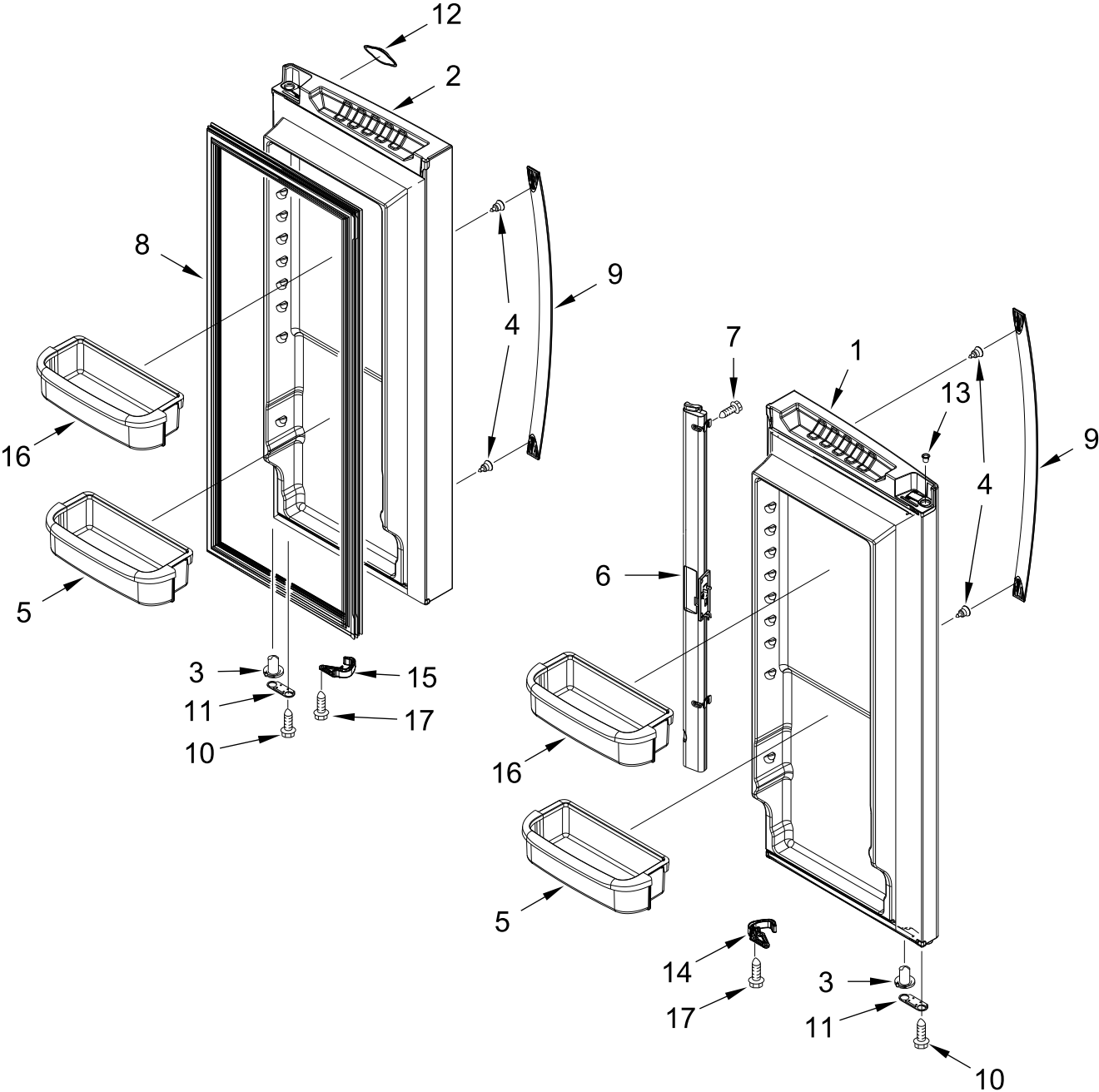
# FREEZER LINER AND ICEMAKER PARTS



# FREEZER LINER AND ICEMAKER PARTS

| <u>Illus.</u><br><u>No.</u> | <u>Part No.</u> | <u>Description</u>             | <u>Illus.</u><br><u>No.</u> | <u>Part No.</u> | <u>Description</u>     | <u>Illus.</u><br><u>No.</u> | <u>Part No.</u> | <u>Description</u>             |
|-----------------------------|-----------------|--------------------------------|-----------------------------|-----------------|------------------------|-----------------------------|-----------------|--------------------------------|
| 1                           |                 | Liner (Not A Serviceable Part) | 14                          | W10277025       | Module, Light          | 25                          |                 | Bracket, Door                  |
| 2                           | A3189392        | Gasket, Foam                   | 15                          | 13058002        | Clip, Evaporator Motor |                             | W10330991       | Left Hand                      |
| 3                           | W11261524       | Guide, Fill Tube               | 16                          | W10847849       | Switch, Light          |                             | W10330993       | Right Hand                     |
| 4                           | W10157765       | Diverter, Air                  | 17                          |                 | Rail, Side             | 26                          | 12990521        | Screw                          |
| 5                           | W10128551       | Motor, Evaporator              |                             | W10516603       | Left Hand              | 27                          | W11260635       | Arm, Shut Off                  |
| 6                           | 12791417SP      | Thermistor                     |                             | W10516602       | Right Hand             | 28                          | W10860513       | Slide, Door                    |
| 7                           | 12002497        | Gear                           | 18                          | W10662407       | Assembly, Drain Funnel | 29                          |                 | Adapter, Slide                 |
| 8                           | 12815301        | Cover, Thermistor              |                             |                 |                        |                             | W10284684       | Left Hand                      |
| 9                           | W11251749       | Light Module, LED              | 19                          | M0500703        | Seal                   |                             | W10284685       | Right Hand                     |
| 10                          | W10289690       | Cover, Ice maker               | 20                          | A3189396        | Gasket                 | 30                          | 12990501        | Screw                          |
| 11                          | W10308416       | Cover, Evaporator              | 21                          | B8381501        | Gasket, Drain          | 31                          | W10802332       | Shaft, Rack                    |
| 12                          | 12990511        | Screw                          | 22                          | 13024803        | Grille, Freezer Air    | 32                          | W10793621       | Harness, Ice maker Wire        |
| 13                          | W10121318       | Grommet                        | 23                          | 13057901        | Shroud, Evaporator Fan | 33                          | W10171529N      | Pan, Ice                       |
|                             |                 |                                | 24                          | 2169142         | Blade, Fan             | 34                          | W10793298       | Assembly, Ice maker (Complete) |

# REFRIGERATOR DOOR PARTS

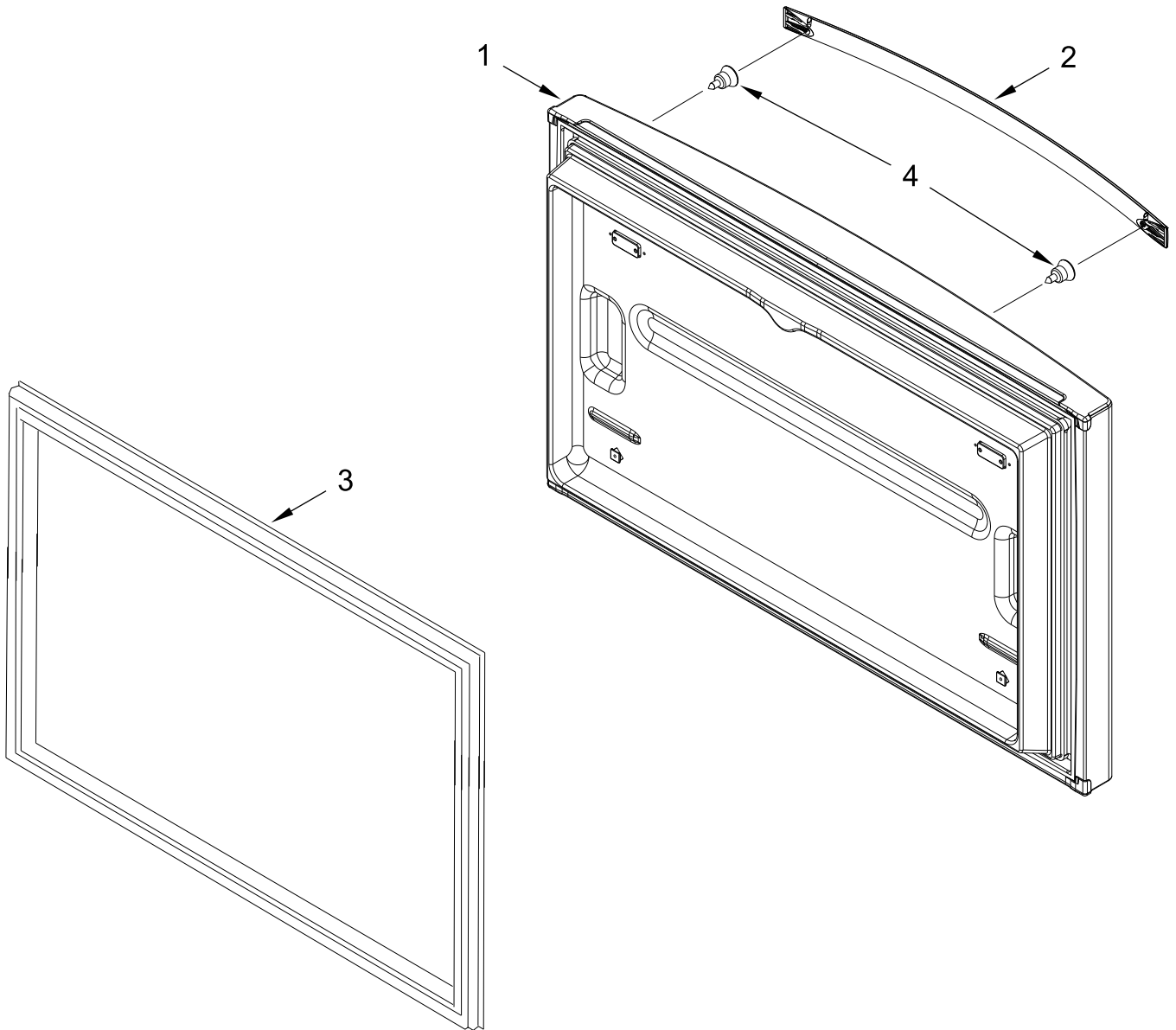




# REFRIGERATOR DOOR PARTS

| <u>Illus. No.</u> | <u>Part No.</u> | <u>Description</u> | <u>Illus. No.</u> | <u>Part No.</u> | <u>Description</u> | <u>Illus. No.</u> | <u>Part No.</u> | <u>Description</u> |
|-------------------|-----------------|--------------------|-------------------|-----------------|--------------------|-------------------|-----------------|--------------------|
| 1                 |                 | Door, Refrigerator | 6                 |                 | Mullion, Door      | 12                | W10884773       | Badge              |
|                   |                 | Left Hand          |                   | 12722803APN     | Grey               | 13                | 12996601        | Clip, Bushing      |
|                   | W11254613       | Stainless          |                   | 12722803BN      | Black              | 14                |                 | Latch, Door Closer |
|                   | W10879200       | Black Stainless    | 7                 | 12990204        | Screw              |                   |                 | Left Hand          |
| 2                 |                 | Door, Refrigerator | 8                 |                 | Gasket, Door       |                   | W10833741       | Grey               |
|                   |                 | Right Hand         |                   | W10830162       | Grey               |                   | W10725268       | Black              |
|                   | W11254623       | Stainless          |                   | W10830206       | Black              | 15                |                 | Latch, Door Closer |
|                   | W10879190       | Black Stainless    | 9                 |                 | Handle, Door       |                   |                 | Right Hand         |
|                   |                 | Closure, Door      |                   | W11045530       | Stainless          |                   | W10833739       | Grey               |
| 3                 |                 |                    |                   | W11101972       | Black Stainless    |                   | W10725267       | Black              |
|                   | 12028505AP      | Grey               | 10                | 12990504        | Screw              | 16                | W10289497       | Bucket, Gallon     |
|                   | 12028505B       | Black              | 11                |                 | Stop, Door         | 17                | 12990519        | Screw              |
| 4                 | W11328753       | Screw              |                   | 12968202AP      | Grey               |                   |                 |                    |
| 5                 | W10371194       | Bucket, Medium     |                   | 12968202B       | Black              |                   |                 |                    |

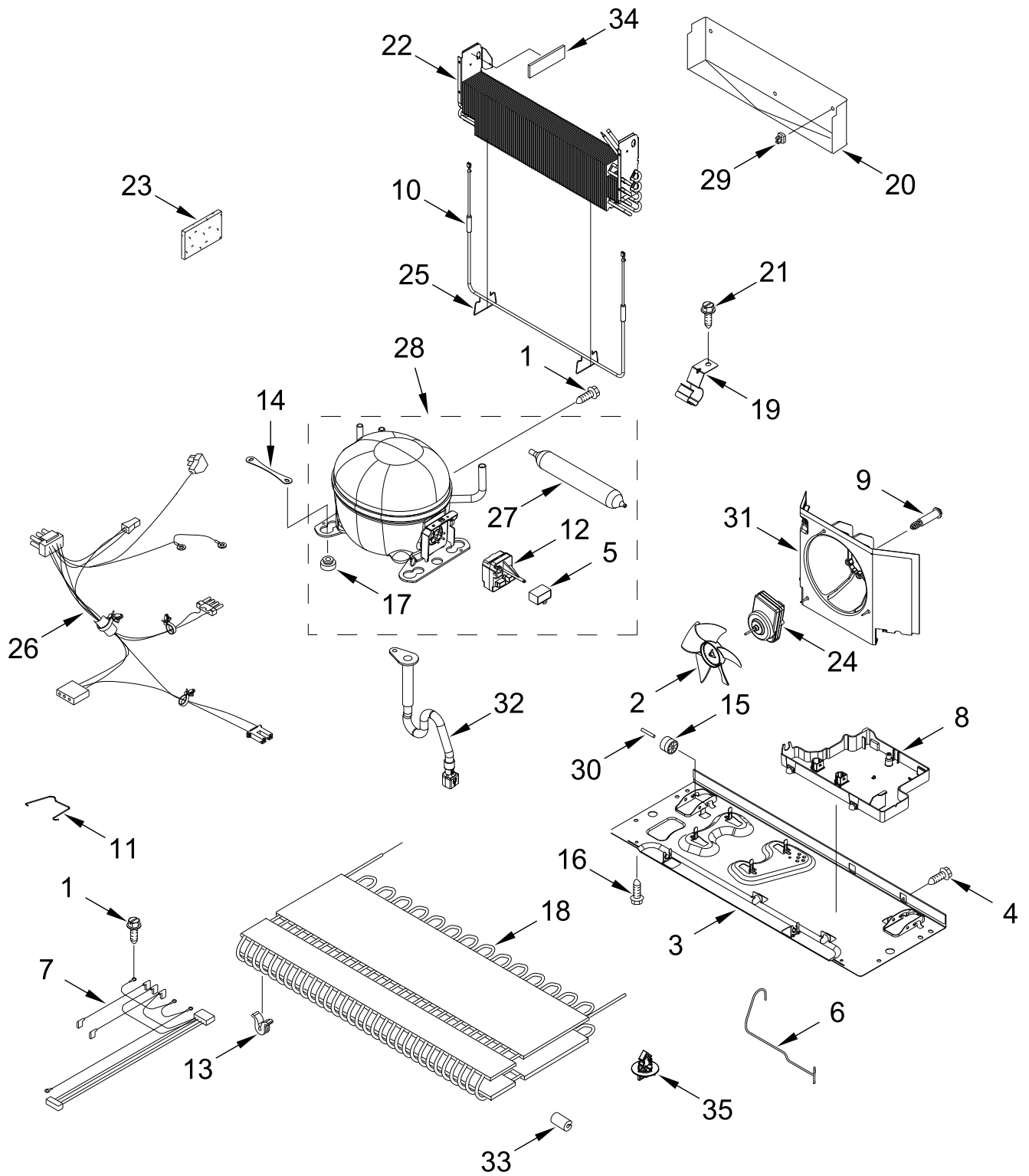
# FREEZER DOOR PARTS



# FREEZER DOOR PARTS

| <u>Illus.</u><br><u>No.</u> | <u>Part No.</u> | <u>Description</u> | <u>Illus.</u><br><u>No.</u> | <u>Part No.</u> | <u>Description</u> | <u>Illus.</u><br><u>No.</u> | <u>Part No.</u> | <u>Description</u> |
|-----------------------------|-----------------|--------------------|-----------------------------|-----------------|--------------------|-----------------------------|-----------------|--------------------|
| 1                           |                 | Door, Freezer      | 2                           |                 | Handle, Door       | 3                           |                 | Gasket, Door       |
|                             | W11254609       | Stainless          |                             | W11115761       | Stainless          |                             | W10443320       | Grey               |
|                             | W10879185       | Black Stainless    |                             | W11101977       | Black Stainless    |                             | W10436252       | Black              |
|                             |                 |                    |                             |                 |                    | 4                           | W11328753       | Screw              |

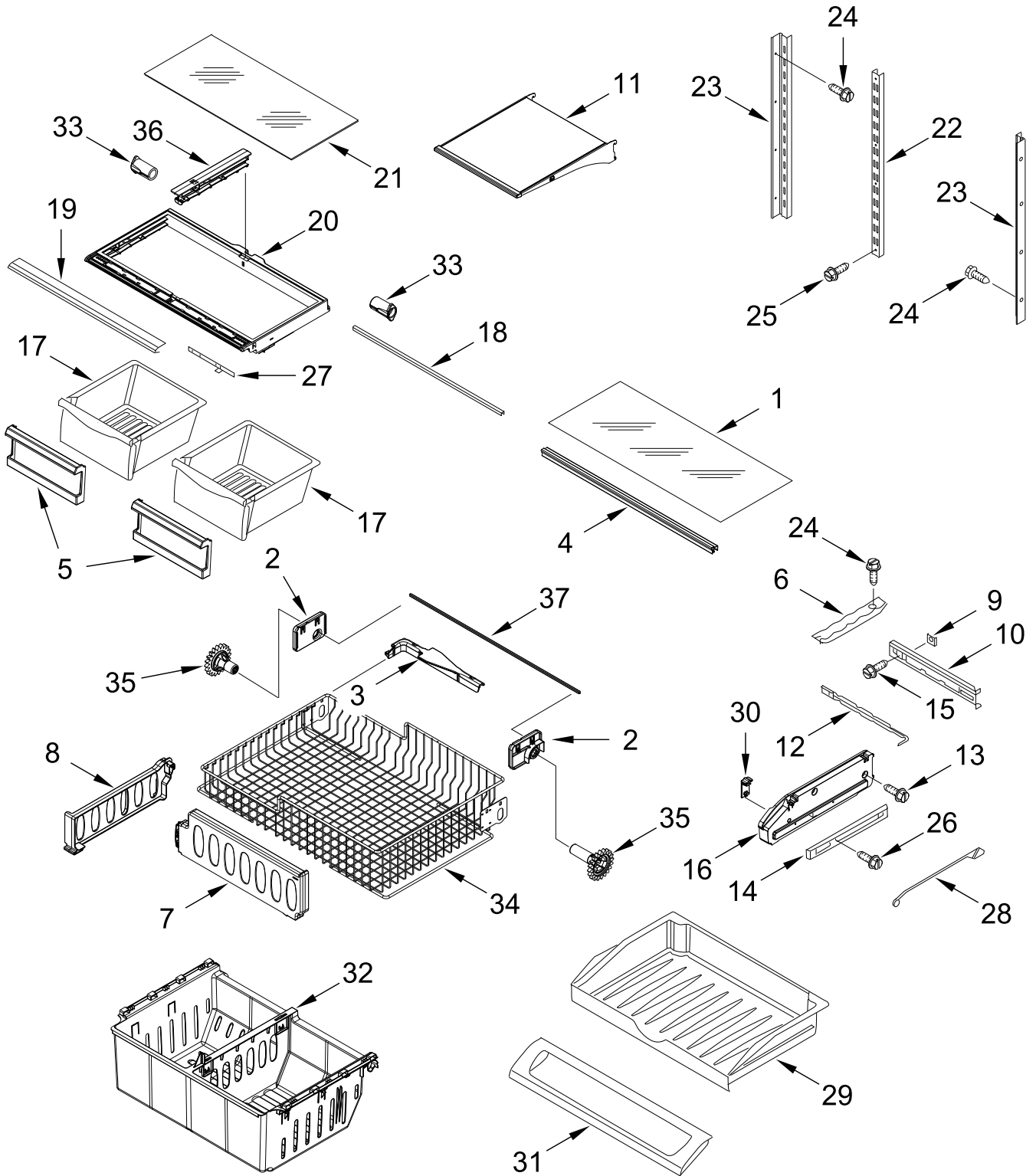
# UNIT PARTS



# UNIT PARTS

| <u>Illus.</u><br><u>No.</u> | <u>Part No.</u> | <u>Description</u>                       | <u>Illus.</u><br><u>No.</u> | <u>Part No.</u> | <u>Description</u>                     | <u>Illus.</u><br><u>No.</u> | <u>Part No.</u> | <u>Description</u>                 |
|-----------------------------|-----------------|--|-----------------------------|-----------------|--|-----------------------------|-----------------|------------------------------------|
| 1                           | 12992301        | Screw                                    | 17                          | 10835903        | Grommet                                | 32                          | W10622099       | Extension, Drain Tube              |
| 2                           | 12825803        | Blade, Fan                               | 18                          | W10346415       | Condenser                              | 33                          | 2319835         | Grommet, Condenser                 |
| 3                           | W10480111       | Basepan                                  | 19                          | W10281329       | Clip, Drier                            | 34                          | W11244122       | Gasket, Foam                       |
| 4                           | 12990511        | Screw                                    | 20                          | W10292803       | Tray, Drip                             | 35                          | W10815863       | Clip, Condenser                    |
| 5                           | W10350564       | Capacitor                                | 21                          | 12990701        | Screw                                  |                             |                 | FOLLOWING PARTS<br>NOT ILLUSTRATED |
| 6                           | W10233569       | Tube, Discharge                          | 22                          | W10669255       | Evaporator                             |                             | 978025          | Valve, Access (1/4")               |
| 7                           | W11050969       | Harness, Evaporator<br>(Includes Heater) | 23                          | 2169104         | Insulation, Sound<br>Deadening         |                             | 978026          | Valve, Access (5/16")              |
| 8                           | W10655368       | Pan, Drain                               | 24                          | W11373924       | Motor, Condenser Fan                   |                             | 978027          | Valve, Access (3/8")               |
| 9                           | W10622701       | Screw                                    | 25                          | 10428101        | Clip, Heater                           |                             | 978029          | Valve, Access (5/8")               |
| 10                          | 12729123        | Heater, Defrost                          | 26                          | W11218259       | Harness, Unit<br>(Includes Power Cord) |                             | 978030          | Valve, Access (3/4")               |
| 11                          | W10216075       | Strap, Bale                              | 27                          | W10177049       | Drier                                  |                             | 876764          | Valve, Access (3/16")              |
| 12                          | W10796752       | Device, Start                            | 28                          | W10879296       | Compressor                             |                             |                 | REFRIGERANT<br>CHARGE              |
| 13                          | W10137529       | Grommet, Condenser                       | 29                          | 10623002        | Clip, Evaporator                       |                             |                 | 5.00 oz. (R-134A)                  |
| 14                          | W10236396       | Strap, Compressor                        | 30                          | 12477202        | Axle, Roller                           |                             |                 |                                    |
| 15                          | 12477102        | Roller                                   | 31                          | W10189184       | Shroud, Condenser<br>Fan               |                             |                 |                                    |
| 16                          | 12992101        | Screw                                    |                             |                 |  |                             |                 |                                    |

# SHELF PARTS



# SHELF PARTS

| <u>Illus. No.</u> | <u>Part No.</u> | <u>Description</u>                           |
|-------------------|-----------------|--|
| 1                 | W10893772       | Glass, Shelf                                 |
| 2                 |                 | Mount, Gear                                  |
|                   | W10348259       | Left Hand                                    |
|                   | W10348260       | Right Hand                                   |
| 3                 | W10149389N      | Lift, Bail Arm                               |
| 4                 | W10528933       | Support, Glass<br>(Includes Pantry<br>Brace) |
| 5                 | 12802602SP      | Front, Crisper Pan                           |
| 6                 | 12531901        | Track, Deli Drawer                           |
| 7                 | W10171558       | Divider, Basket<br>(Upper)                   |
| 8                 | W10241046       | Divider, Basket<br>(Upper)                   |
| 9                 | 12656901        | Gasket, Pantry                               |
| 10                | 12656202        | Housing, Control                             |
| 11                | W11046990       | Assembly, Shelf                              |
| 12                | 12655402        | Slide, Temperature<br>Control                |

| <u>Illus. No.</u> | <u>Part No.</u> | <u>Description</u>      |
|-------------------|-----------------|-------------------------|
| 13                | 12990512        | Screw                   |
| 14                | W10235370       | Glide, Pantry           |
| 15                | 12990513        | Screw                   |
| 16                |                 | Endcap, Pantry          |
|                   | W10845509       | Left Hand               |
|                   | W10845508       | Right Hand              |
| 17                | 12804601SP      | Pan, Crisper            |
| 18                | 12642303WD      | Brace, Crisper Cover    |
| 19                | W10231345N      | Trim, Crisper           |
| 20                | W10329866       | Frame, Crisper          |
| 21                | 12204824N       | Glass, Shelf            |
| 22                | W10273463       | Ladder, Center          |
| 23                | W10569182       | Ladder, Side            |
| 24                | 12990513        | Screw                   |
| 25                | W10215666       | Screw                   |
| 26                | 12990504        | Screw                   |
| 27                | 12530805SP      | Slide, Humidity Control |
| 28                | 12655304        | Bar, Control            |

| <u>Illus. No.</u> | <u>Part No.</u> | <u>Description</u>           |
|-------------------|-----------------|------------------------------|
| 29                | 12731302        | Drawer, Pantry               |
| 30                | 12655204        | Knob, Temperature<br>Control |
| 31                | 12656813        | Lid, Pantry                  |
| 32                | W10293682       | Bin, Lower                   |
| 33                | 13062602        | Support, Crisper<br>Frame    |
| 34                | W11115256       | Basket, Freezer<br>(Upper)   |
| 35                |                 | Gear, Spur                   |
|                   | W10474716       | Left Hand                    |
|                   | W10474715       | Right Hand                   |
| 36                | W10326469N      | Rail, Center Crisper         |
| 37                | W10802333       | Shaft, Rack                  |

# OPTIONAL PARTS

## PAINT, TOUCH-UP (1/2OZ.)

| <u>Illus. No.</u> | <u>Part No.</u> | <u>Description</u>      |
|-------------------|-----------------|-------------------------|
|                   | 72017           | White                   |
|                   | 72032           | Black                   |
|                   | W10134625       | Apollo Grey             |
|                   | W10917540       | Midnight Grey           |
|                   | 511873          | White Porcelain (2 oz.) |
|                   | 4392899         | Biscuit/Bisque          |

## PAINT, PRESSURIZED SPRAY (12 OZ.)

| <u>Illus. No.</u> | <u>Part No.</u> | <u>Description</u> |
|-------------------|-----------------|--------------------|
|                   | 350930          | White              |
|                   | 350939          | Enamel, Black      |
|                   | 285006          | Black              |
|                   | 350942          | White Primer       |
|                   | 4392901         | Biscuit/Bisque     |

## PAINT, BULK (1 QT.)

| <u>Illus. No.</u> | <u>Part No.</u> | <u>Description</u> |
|-------------------|-----------------|--------------------|
|                   | 799344          | White (Uncut)      |

## MISCELLANEOUS

| <u>Illus. No.</u> | <u>Part No.</u> | <u>Description</u>                                  |
|-------------------|-----------------|---|
|                   | 212643          | Sealer, Gum (4 Feet)                                |
|                   | 479502          | Tape, Vinyl (3/4 x 108")                            |
|                   | 876370          | Insulation (2 Pieces, 3" x 24" x 48")               |
|                   | 876305          | Insulation Kit (14 Pieces, 3" x 24" x 48")          |
|                   | 978941          | Insulation, Fiberglass (63 1/2" x 35 1/2" x 2 5/8") |
|                   | 876029          | Kit, Foam Slab (30" x 32 1/2" x 1 1/2")             |
|                   | 505587          | Sealer, Mastic (1 Qt)                               |
|                   | 503695          | Cork, Sealer  |
|                   | 20000008        | Cleaner, Stainless Steel                            |
|                   | 542638          | Grease, Silicone (1/2 Oz.)                          |
|                   | 542639          | Cement, Alumilastic (1 1/4 Oz.)                     |
|                   | 833938          | Kit, Terminal Connector                             |
|                   | 8003RP          | Kit, Water Inlet                                    |

## TORX SCREW WRENCH

| <u>Illus. No.</u> | <u>Part No.</u> | <u>Description</u> |
|-------------------|-----------------|--------------------|
|                   | 1117510         | Torx Key           |